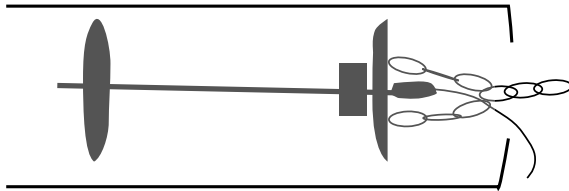


S/P/A[®] PURGING SYSTEM



S/P/A[®] PURGING SYSTEM

High production standards are demanded by our customers. Industries like the pharmaceutical-, food and beverage- and energy industry require the highest quality in welding. Therefore, the use of an efficient Purging System such as made by S/P/A[®] to avoid stains and guarantees a perfect root weld.



ADVANTAGES

- + ease of operation
- + covers pipe diameters from Ø 50 mm (2") to Ø 500 mm (20")
- + highly flexible for different pipe diameters and pipe elbows
- + cost effective pricing thanks to modular system
- + high durability and highest quality of single components
- + quick installation and removal ensured
- + optimal sealing through variable configuration of sealing / supporting discs

CHARACTERISTICS / APPLICATIONS

The S/P/A[®] Purging System is perfectly applicable in the field of pipe welding – mainly made out of VA and Duplex Steel. In general the welding process will be optimized and insures a welding process stability. The S/P/A[®] Purging System is designed for purging pipes up to a diameter of 500 mm (20"). The smallest pipe diameter you can purge is 50 mm (2"). To guarantee a perfect fitting

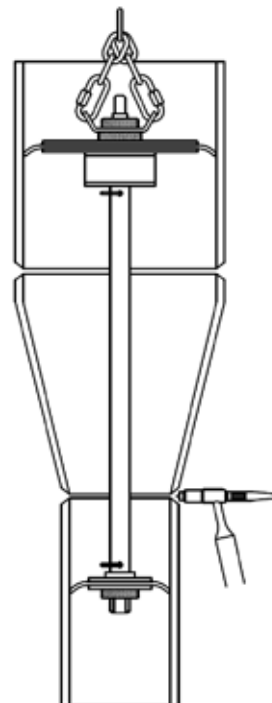
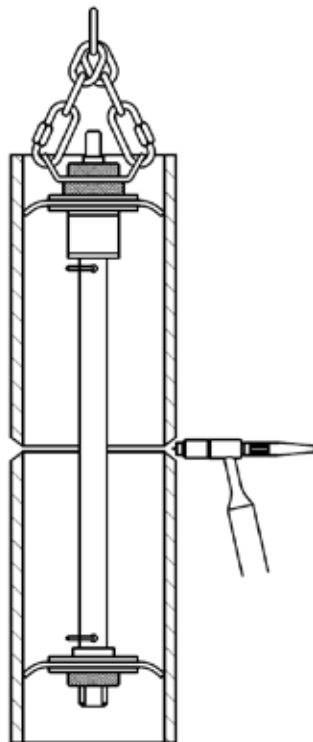
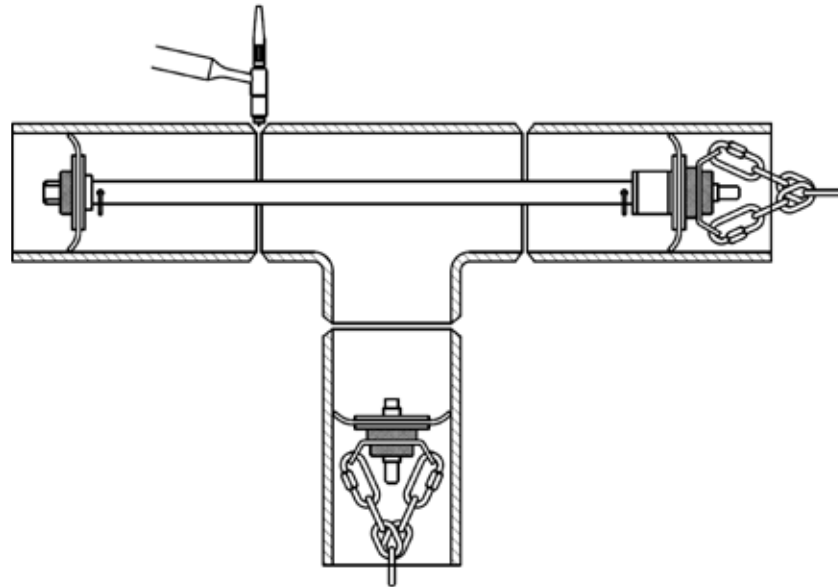
of the system, the out diameter of the sealing discs shall be 10 mm (0.39") and the supporting discs shall be 20 mm (0.79") smaller than the pipe inside diameter.

TYPES

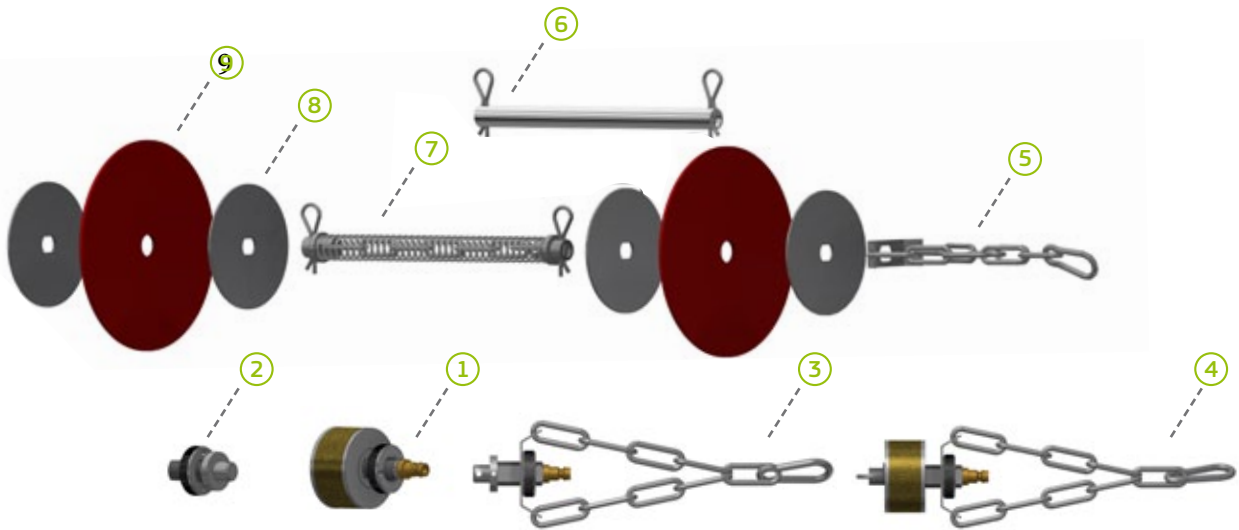
Das S/P/A[®] Purging System consists of high temperature resistant silicone sealing discs and aluminium supporting discs assuring a perfect stabilisation and sealing of the pipe. Further it has a sintered brass gas diffuser providing a homogeneous gas flow. In combination with a tackle the S/P/A[®] Purging System can be positioned and removed easily and quickly in the pipe. At the other end of the system a small gas distributor ensures that gas can leak and the gas pres-

sure in the S/P/A[®] Purging System remains constant. This guarantees a perfect protection of the root seam. The connecting device between the sealing and supporting discs is available in a fixed or flexible version to allow ideal access to pipe elbows.

S/P/A[®] PURGING SYSTEM



S/P/A[®] PURGING SYSTEM



PART NUMBER	POSITION	S/P/A [®] PURGING SYSTEM
5.1372006	①	Root Purging Element D
5.1372007	①	Root Purging Element D small
5.1372002	②	Root Purging Element B
5.1372004	③	Root Purging Element C
5.1372005	③	Root Purging Element C small
5.1372000	④	Root Purging Element A
5.1372001	④	Root Purging Element A small
5.1372015	⑤	Hitch for Root Purging Element D
5.1372003	⑤	Hitch for Root Purging Element D small
5.1372008	⑥	Connecting Element E stiff 230 mm
5.1372009	⑥	Connecting Element E stiff 480 mm
5.1372010	⑦	Connecting Element F flexible 230 mm
5.1372011	⑦	Connecting Element F flexible 480 mm
	⑧	Supporting Discs Ø 30 – 480 mm
	⑨	Sealing Discs Ø 60 – 520 mm
5.1372013	-	Towing Rope NIRO ø 3 mm, 10 m, complete
5.1372014	-	Forming Gas Hose 10 m, complete
5.1392010	-	Forming Gas Case 2010 complete (contents on request)
5.1392011	-	Forming Gas Case 2011 complete (contents on request)