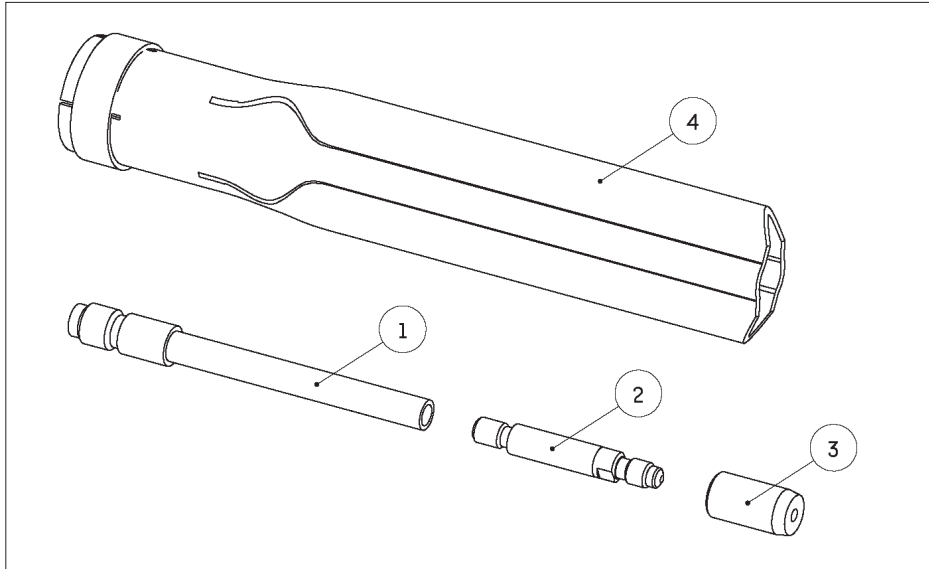




SPAce (for MIG applications)

■ **SPAce System**

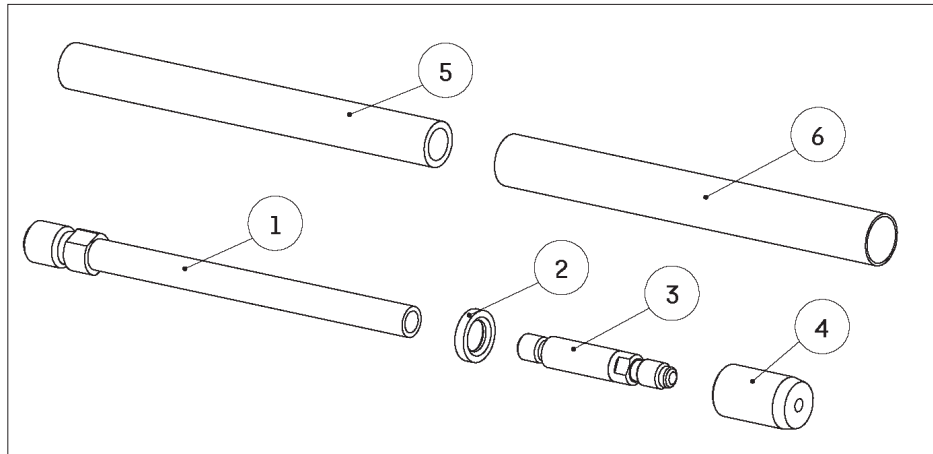


articlenumber	position	description
2.600608	1	contact tube 60 mm, coated
2.600908		contact tube 90 mm, coated
2.501208		contact tube 120 mm, coated
2.601508		contact tube 150 mm, coated
2.600008	2	contact tip \varnothing 0.8 mm, coated
2.600010		contact tip \varnothing 1.0 mm, coated
2.600012		contact tip \varnothing 1.2 mm, coated
2.600016		contact tip \varnothing 1.6 mm, coated
2.600801	3	protection cap SPAce MIG
2.600605	4	narrow gap gas nozzle SPAce 60 mm
2.600905		narrow gap gas nozzle SPAce 90 mm
2.601205		narrow gap gas nozzle SPAce 120 mm
2.601505		narrow gap gas nozzle SPAce 150 mm
extension	position	complete systems
2.600600	1-4	narrow gap welding system cpl. 60 mm
2.600900		narrow gap welding system cpl. 90 mm
2.601200		narrow gap welding system cpl. 120 mm
2.601500		narrow gap welding system cpl. 150 mm



Inner Shield (for self shielded wire)

■ **Metal System**

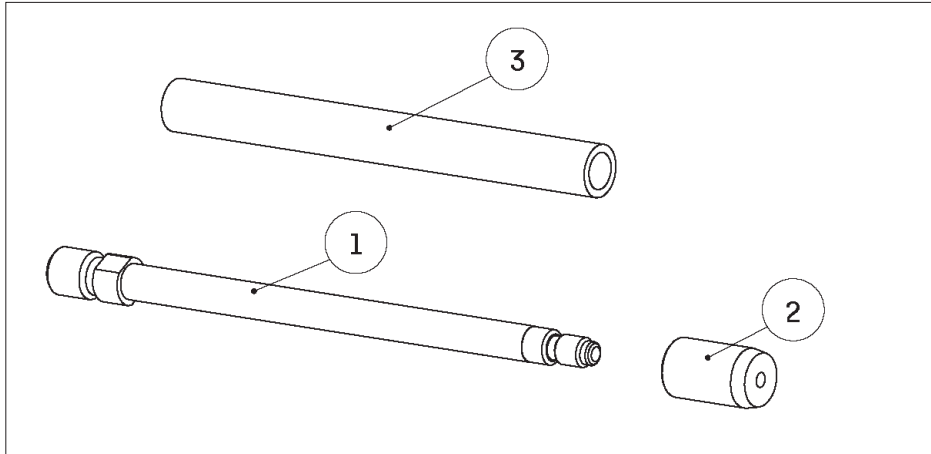


articlenumber	position	description
2.00008	1	contact tube 180 mm
2.00017	2	insulating ring PTFE
2.00002	3	current contact tip DHCA \varnothing 2.0 mm
2.00001	4	protection cap grey
2.10105	5+6	protection tube Glimmer + protection tube Metal 180 mm
extension	position	complete systems
2.10101	1-6	narrow gap welding system Metal cpl. 180 mm



Inner Shield (for self shielded wire)

■ **Glimmer System**



articlenumber	position	description
2.10008	1	contact tube incl. current contact tip 180 mm
2.20001	2	protection cap white
2.20009	3	protection tube Glimmer 180 mm
extension	position	complete systems
2.20000	1-3	narrow gap welding system Glimmer 180 mm